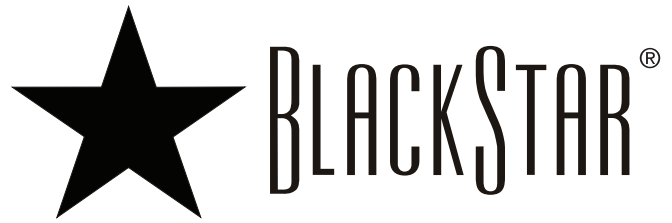
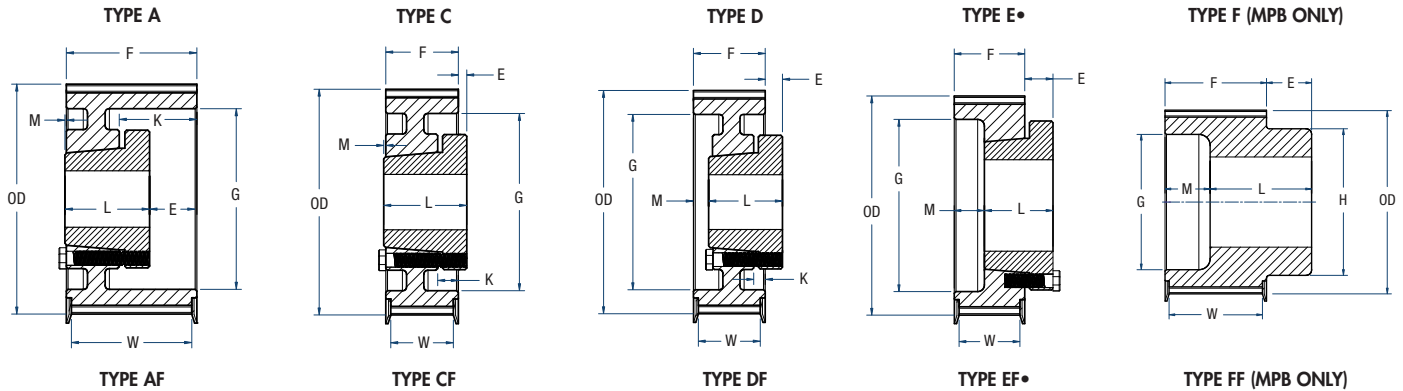


HTD 14mm



Timing Pulley 40mm Wide Belts



40mm (1.57 in) Wide Belts (14M-40)

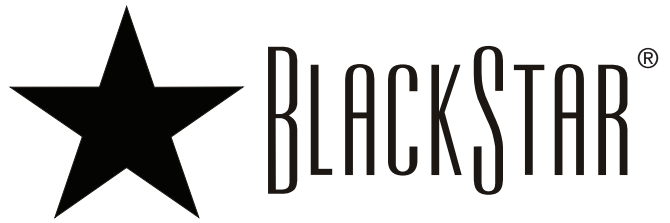
No. of Teeth	Catalog Number	Bore	Pitch	Diameter (in)		Type+	Max Bore	Dimensions (in)							Approx. Weight* (lbs)	
				O.D.	Flange			E	L	M	K	H	F	G		W
28	P28-14M-40-SK	SK	4.912	4.802	5.56	•E1F	2-5/8	7/8	1-7/8	5/8	—	—	2-1/8	3.13	1-13/16	5.5
29	P29-14M-40-SK	SK	5.088	4.978	5.56	•E1F	2-5/8	7/8	1-7/8	5/8	—	—	2-1/8	3.13	1-13/16	6.5
30	P30-14M-40-SK	SK	5.263	5.153	6.13	D1F	2-5/8	3/16	1-7/8	7/16	—	—	2-1/8	3.92	1-13/16	6.0
32	P32-14M-40-SK	SK	5.614	5.504	6.13	D1F	2-5/8	3/16	1-7/8	7/16	7/16	—	2-1/8	3.92	1-13/16	8.0
34	P34-14M-40-SK	SK	5.965	5.855	6.50	D1F	2-5/8	3/16	1-7/8	7/16	7/16	—	2-1/8	4.06	1-13/16	8.5
36	P36-14M-40-SF	SF	6.316	6.206	6.81	D1F	2-7/8	3/16	2	5/16	7/16	—	2-1/8	4.69	1-13/16	9.5
38	P38-14M-40-SF	SF	6.667	6.557	7.16	D1F	2-7/8	3/16	2	5/16	7/16	—	2-1/8	4.94	1-13/16	11.5
40	P40-14M-40-SF	SF	7.018	6.909	7.50	D1F	2-7/8	3/16	2	5/16	7/16	—	2-1/8	5.06	1-13/16	13.0
44	P44-14M-40-E	E	7.720	7.610	8.22	D1F	3-1/2	5/8	2-5/8	1/8	1/4	—	2-1/8	6.12	1-13/16	16.5
48	P48-14M-40-E	E	8.421	8.311	8.94	D1F	3-1/2	5/8	2-5/8	1/8	1/4	—	2-1/8	6.50	1-13/16	20.0
52	P52-14M-40-E	E	9.123	9.013	9.69	D1F	3-1/2	5/8	2-5/8	1/8	1/4	—	2-1/8	7.18	1-13/16	24.0
56	P56-14M-40-E	E	9.825	9.715	10.38	D1F	3-1/2	5/8	2-5/8	1/8	1/4	—	2-1/8	7.88	1-13/16	28.0
60	P60-14M-40-E	E	10.527	10.417	11.06	D1F	3-1/2	5/8	2-5/8	1/8	1/4	—	2-1/8	8.50	1-13/16	32.0
64	P64-14M-40-E	E	11.229	11.119	11.75	D2F	3-1/2	5/8	2-5/8	1/8	1/4	—	2-1/8	9.25	1-13/16	29.0
68	P68-14M-40-E	E	11.930	11.820	12.50	D2F	3-1/2	5/8	2-5/8	1/8	1/4	—	2-1/8	10.00	1-13/16	31.0
72	P72-14M-40-E	E	12.632	12.522	13.19	D2F	3-1/2	5/8	2-5/8	1/8	1/4	—	2-1/8	10.69	1-13/16	33.0
80	P80-14M-40-E	E	14.036	13.926	14.63	D2F	3-1/2	5/8	2-5/8	1/8	1/4	—	2-1/8	12.13	1-13/16	38.0
90	P90-14M-40-E	E	15.790	15.680	—	D3	3-1/2	5/8	2-5/8	1/8	1/4	—	2-1/8	14.00	1-13/16	39.0
112	P112-14M-40-E	E	19.650	19.540	—	D3	3-1/2	5/8	2-5/8	1/8	1/4	—	2-1/8	17.80	1-13/16	51.0
114	P114-14M-40-E	E	25.264	25.154	—	D3	3-1/2	5/8	2-5/8	1/8	1/4	—	2-1/8	23.38	1-13/16	80.0

*Weight shown is for sprocket less bushing.

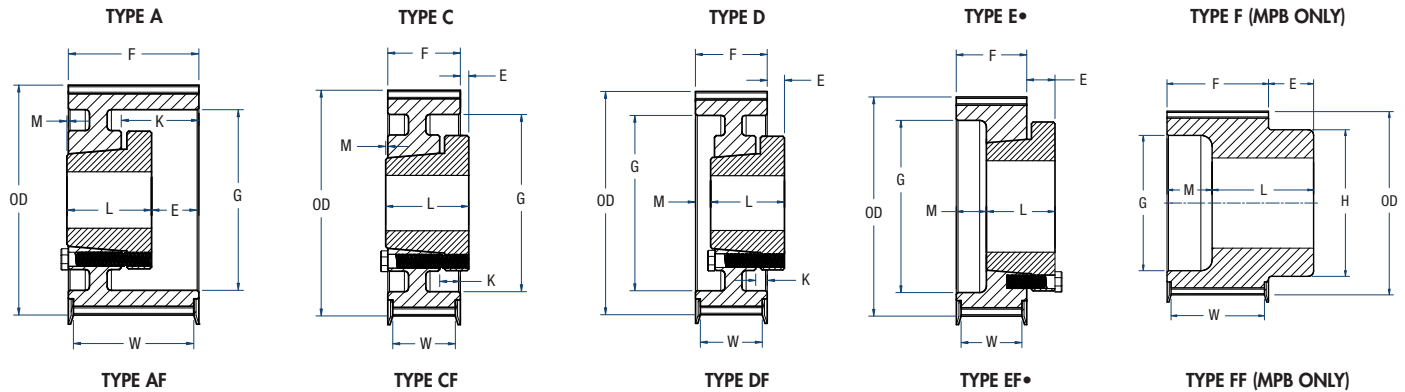
•Reverse mount only.

+The numbers (1=Solid, 2=Web, 3=Arms) within "Type" indicates construction, and the letter F indicates the pulley has flanges.

HTD 14mm



Timing Pulley 55mm Wide Belts



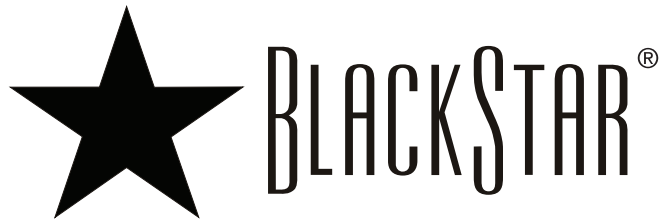
55mm (2.7 in) Wide Belts (14M-55)																
No. of Teeth	Catalog Number	Bore	Pitch	Diameter (in)		Type+	Max Bore	Dimensions (in)								Approx. Weight* (lbs)
				O.D.	Flange			E	L	M	K	H	F	G	W	
28	P28-14M-55-SK	SK	4.912	4.808	5.56	•E1F	2-5/8	1-1/2	1-7/8	5/8	—	—	2-3/4	3.13	2-7/16	7.0
29	P29-14M-55-SK	SK	5.088	4.983	5.56	•E1F	2-5/8	1-1/2	1-7/8	5/8	—	—	2-3/4	3.13	2-7/16	8.0
30	P30-14M-55-SK	SK	5.263	5.157	6.13	A1F	2-5/8	1/8	1-7/8	3/4	3/4	—	2-3/4	3.92	2-7/16	7.5
32	P32-14M-55-SK	SK	5.614	5.507	6.13	A1F	2-5/8	1/8	1-7/8	3/4	3/4	—	2-3/4	3.92	2-7/16	9.0
34	P34-14M-55-SK	SK	5.965	5.858	6.50	A1F	2-5/8	1/8	1-7/8	3/4	3/4	—	2-3/4	4.06	2-7/16	10.0
36	P36-14M-55-SF	SF	6.316	6.208	6.81	A1F	2-7/8	1/8	2	5/8	3/4	—	2-3/4	4.69	2-7/16	11.0
38	P38-14M-55-SF	SF	6.667	6.559	7.16	A1F	2-7/8	1/8	2	5/8	3/4	—	2-3/4	4.94	2-7/16	13.0
40	P40-14M-55-SF	SF	7.018	6.909	7.50	A1F	2-7/8	1/8	2	5/8	3/4	—	2-3/4	5.06	2-7/16	15.0
44	P44-14M-55-E	E	7.720	7.610	8.22	D1F	3-1/2	5/16	2-5/8	7/16	9/16	—	2-3/4	6.12	2-7/16	19.0
48	P48-14M-55-E	E	8.421	8.311	8.94	D1F	3-1/2	5/16	2-5/8	7/16	9/16	—	2-3/4	6.50	2-7/16	23.0
52	P52-14M-55-E	E	9.123	9.013	9.69	D1F	3-1/2	5/16	2-5/8	7/16	9/16	—	2-3/4	7.18	2-7/16	27.0
56	P56-14M-55-E	E	9.825	9.715	10.38	D1F	3-1/2	5/16	2-5/8	7/16	9/16	—	2-3/4	7.88	2-7/16	32.0
60	P60-14M-55-E	E	10.527	10.417	11.06	D1F	3-1/2	5/16	2-5/8	7/16	9/16	—	2-3/4	8.50	2-7/16	36.0
64	P64-14M-55-F	F	11.229	11.119	11.75	C1F	3-1/2	7/8	3-5/8	0	1/8	—	2-3/4	9.25	2-7/16	53.0
68	P68-14M-55-F	F	11.930	11.820	12.50	D2F	4	7/8	3-5/8	0	1/8	—	2-3/4	10.00	2-7/16	43.0
72	P72-14M-55-F	F	12.632	12.522	13.19	C2F	4	7/8	3-5/8	0	1/8	—	2-3/4	10.69	2-7/16	49.0
80	P80-14M-55-F	F	14.036	13.926	14.63	C2F	4	7/8	3-5/8	0	1/8	—	2-3/4	12.13	2-7/16	54.0
90	P90-14M-55-F	F	15.790	15.680	—	C3	4	7/8	3-5/8	0	1/8	—	2-3/4	14.00	—	55.0
112	P112-14M-55-F	F	19.650	19.540	—	C3	4	7/8	3-5/8	0	1/8	—	2-3/4	17.88	—	71.0
114	P114-14M-55-F	F	25.264	25.154	—	C3	4	7/8	3-5/8	0	1/8	—	2-3/4	23.38	—	106.0
168	P168-14M-55-F	F	29.475	29.365	—	C3	4	7/8	3-5/8	0	1/8	—	2-3/4	27.56	—	124.0
192	P192-14M-55-F	F	33.686	33.576	—	C3	4	7/8	3-5/8	0	1/8	—	2-3/4	31.81	—	146.0
216	P216-14M-55-F	F	37.896	37.786	—	C3	4	7/8	3-5/8	0	1/8	—	2-3/4	35.75	—	205.0

*Weight shown is for sprocket less bushing.

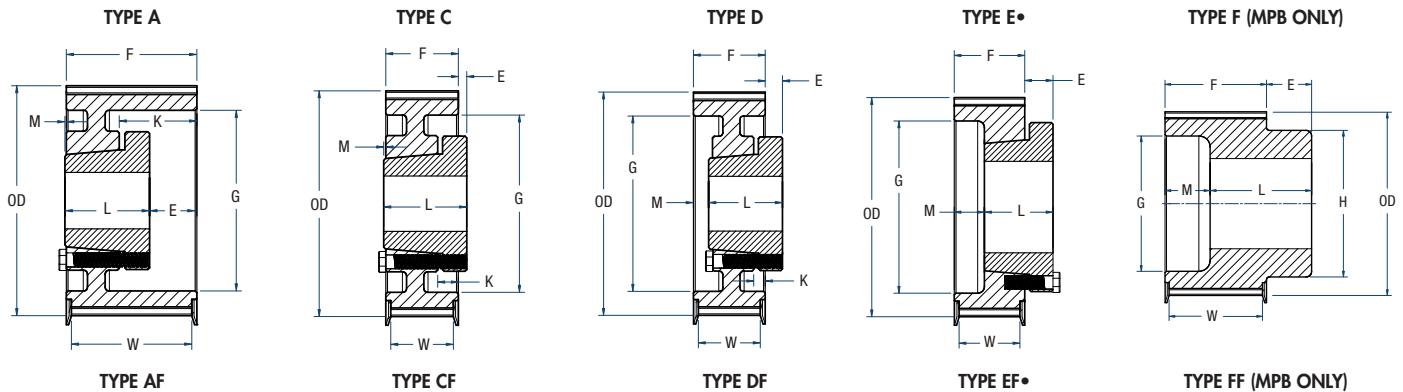
•Reverse mount only.

+The numbers (1=Solid, 2=Web, 3=Arms) within "Type" indicates construction, and the letter F indicates the pulley has flanges.

HTD 14mm



Timing Pulley 85mm Wide Belts



85mm (3.35 in) Wide Belts (14M-85)																
No. of Teeth	Catalog Number	Bore	Pitch	Diameter (in)		Type+	Max Bore	Dimensions (in)								Approx. Weight* (lbs)
				O.D.	Flange			E	L	M	K	H	F	G	W	
28	P28-14M-85-MPB	1-1/4	4.912	4.802	5.56	F1F	2-11/16	1	4	1	—	3-11/16	4	3.13	3-11/16	17.0
29	P29-14M-85-MPB	1-1/4	5.088	4.978	5.56	F1F	2-11/16	1	4	1	—	3-11/16	4	3.13	3-11/16	18.0
30	P30-14M-85-MPB	1-1/4	5.263	5.153	6.13	F1F	2-7/8	1	4	1	—	4-9/64	4	3.91	3-11/16	20.0
30	P30-14M-85-SK	SK	5.263	5.153	6.13	A1F	2-7/8	3/4	1-7/8	1-3/8	1-3/8	—	4	3.92	3-11/16	10.0
32	P32-14M-85-MPB	1-1/4	5.614	5.504	6.13	F1F	2-7/8	1	4	1	—	4-9/64	4	3.91	3-11/16	23.0
32	P32-14M-85-SK	SK	5.614	5.504	6.13	A1F	2-7/8	3/4	1-7/8	1-3/8	1-3/8	—	4	3.92	3-11/16	13.0
34	P34-14M-85-MPB	1-1/4	5.965	5.855	6.50	F1F	2-7/8	1	4	1	—	4-31/64	4	4.06	3-11/16	27.0
34	P34-14M-85-SK	SK	5.965	5.855	6.50	A1F	2-7/8	3/4	1-7/8	1-3/8	1-3/8	—	4	4.06	3-11/16	14.0
36	P36-14M-85-SF	SF	6.316	6.206	6.81	A1F	2-7/8	3/4	2	1-1/4	1-3/8	—	4	4.69	3-11/16	15.0
38	P38-14M-85-SF	SF	6.667	6.557	7.16	A1F	2-7/8	3/4	2	1-1/4	1-3/8	—	4	4.94	3-11/16	18.0
40	P40-14M-85-SF	SF	7.018	6.909	7.50	A1F	2-7/8	3/4	2	1-1/4	1-3/8	—	4	5.06	3-11/16	20.0
44	P44-14M-85-E	E	7.720	7.610	8.22	A1F	3-1/2	5/16	2-5/8	11/16	13/16	—	4	6.12	3-11/16	25.0
48	P48-14M-85-E	E	8.421	8.311	8.94	A1F	3-1/2	5/16	2-5/8	11/16	13/16	—	4	6.50	3-11/16	29.0
52	P52-14M-85-E	E	9.123	9.013	9.69	A1F	3-1/2	5/16	2-5/8	11/16	13/16	—	4	7.18	3-11/16	32.0
56	P56-14M-85-F	F	9.825	9.715	10.38	D1F	4	1/4	3-5/8	5/8	3/4	—	4	7.88	3-11/16	46.0
60	P60-14M-85-F	F	10.527	10.417	11.06	D1F	4	1/4	3-5/8	5/8	3/4	—	4	8.50	3-11/16	51.0
64	P64-14M-85-F	F	11.229	11.119	11.75	D1F	4	1/4	3-5/8	5/8	3/4	—	4	9.25	3-11/16	62.0
68	P68-14M-85-F	F	11.930	11.820	12.50	D2F	4	1/4	3-5/8	5/8	3/4	—	4	10.00	3-11/16	51.0
72	P72-14M-85-F	F	12.632	12.522	13.19	D2F	4	1/4	3-5/8	5/8	3/4	—	4	10.69	3-11/16	60.0
80	P80-14M-85-F	F	14.036	13.926	14.63	D2F	4	1/4	3-5/8	5/8	3/4	—	4	12.13	3-11/16	66.0
90	P90-14M-85-F	F	15.790	15.680	—	D3	4	1/4	3-5/8	5/8	3/4	—	4	14.00	—	69.0
112	P112-14M-85-F	F	19.650	19.540	—	D3	4	1/4	3-5/8	5/8	3/4	—	4	17.88	—	89.0
144	P144-14M-85-F	F	25.264	25.154	—	D3	4	1/4	3-5/8	5/8	3/4	—	4	23.38	—	127.0
168	P168-14M-85-J	F	29.475	29.365	—	D3	4-1/2	1/4	3-5/8	5/8	3/4	—	4	27.56	—	148.0
192	P192-14M-85-J	F	33.686	33.576	—	D3	4-1/2	1/4	3-5/8	5/8	3/4	—	4	31.81	—	177.0
216	P216-14M-85-J	F	37.896	37.786	—	D3	4-1/2	1/4	3-5/8	5/8	3/4	—	4	35.75	—	251.0

*Weight shown is for sprocket less bushing.

•Reverse mount only.

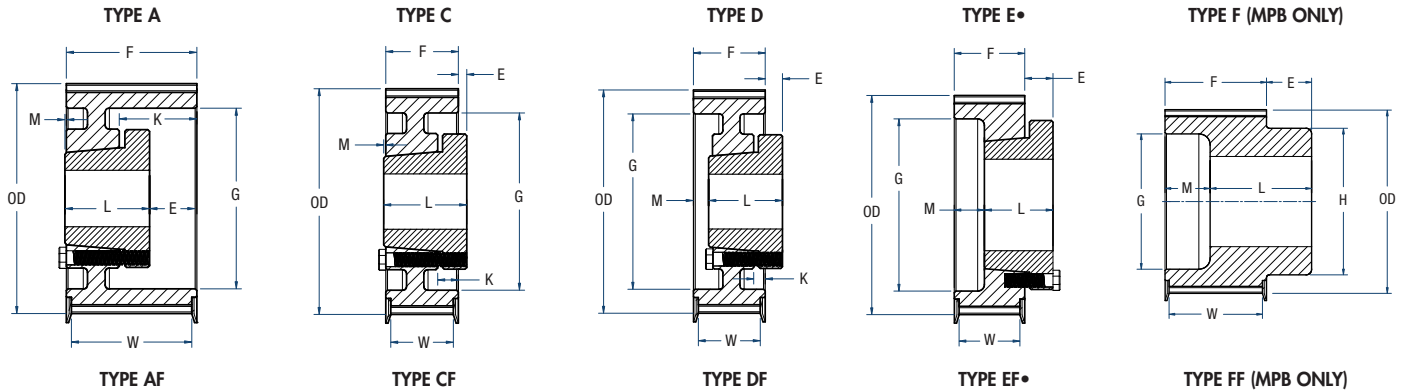
+The numbers (1=Solid, 2=Web, 3=Arms) within "Type" indicates construction, and the letter F indicates the pulley has flanges.

HTD 14mm



BLACKSTAR®

Timing Pulley 115mm Wide Belts



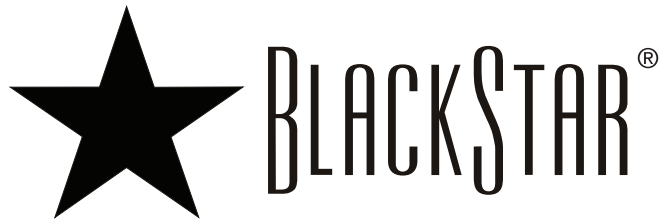
115mm (3.35 in) Wide Belts (14M-85)																
No. of Teeth	Catalog Number	Bore	Pitch	Diameter (in)		Type+	Max Bore	Dimensions (in)								Approx. Weight* (lbs)
				O.D.	Flange			E	L	M	K	H	F	G	W	
28	P28-14M-115-MPB	1-1/4	4.912	4.808	5.56	F1F	2-11/16	1-1/4	5	1-1/2	—	3-11/16	5-1/4	3.13	4-15/16	21.0
29	P29-14M-115-MPB	1-1/4	5.088	4.983	5.56	F1F	2-11/16	1-1/4	5	1-1/2	—	3-11/16	5-1/4	3.13	4-15/16	23.0
30	P30-14M-115-MPB	1-1/4	5.263	5.157	6.13	F1F	2-1/2	1-1/4	5	1-1/2	—	4-9/64	5-1/4	3.91	4-15/16	26.0
30	P30-14M-115-SK	SK	5.263	5.157	6.13	A1F	2-7/8	1-3/8	1-7/8	2	2	—	5-1/4	3.91	4-15/16	12.0
32	P32-14M-115-MPB	1-1/4	5.614	5.507	6.13	F1F	2-1/2	1-1/4	5	1-1/2	—	4-9/64	5-1/4	3.91	4-15/16	31.0
32	P32-14M-115-SK	SK	5.614	5.507	6.13	A1F	2-7/8	1-3/8	1-7/8	2	2	—	5-1/4	3.92	4-15/16	16.0
34	P34-14M-115-MPB	1-1/4	5.965	5.858	6.50	F1F	2-11/16	1-1/4	5	1-1/2	—	4-31/64	5-1/4	4.06	4-15/16	35.0
34	P34-14M-115-SK	SK	5.965	5.858	6.50	A1F	2-7/8	1-3/8	1-7/8	2	2	—	5-1/4	4.06	4-15/16	17.0
36	P36-14M-115-MPB	1-1/4	6.316	6.208	6.81	F1F	3	1-1/4	5	1-1/2	—	4-7/8	5-1/4	4.69	4-15/16	39.0
36	P36-14M-115-SF	SF	6.316	6.208	6.81	A1F	3	1-3/8	2	1-7/8	2	—	5-1/4	4.69	4-15/16	18.0
38	P38-14M-115-MPB	1-1/4	6.667	6.559	7.16	F1F	3-1/4	1-1/4	5	1-1/2	—	5-11/64	5-1/4	4.94	4-15/16	44.0
38	P38-14M-115-SF	SF	6.667	6.559	7.16	A1F	3	1-3/8	2	1-7/8	2	—	5-1/4	4.94	4-15/16	22.0
40	P40-14M-115-MPB	1-1/4	7.018	6.909	7.50	F1F	3-7/16	1-1/4	5	1-1/2	—	5-9/16	5-1/4	5.06	4-15/16	50.0
40	P40-14M-115-SF	SF	7.018	6.909	7.50	A1F	3	1-3/8	2	1-7/8	2	—	5-1/4	5.06	4-15/16	25.0
44	P44-14M-115-E	E	7.720	7.610	8.22	A1F	3-1/2	15/16	2-5/8	1-11/16	1-13/16	—	5-1/4	6.12	4-15/16	30.0
48	P48-14M-115-E	E	8.421	8.311	8.94	A1F	4	15/16	2-5/8	1-11/16	1-13/16	—	5-1/4	6.50	4-15/16	35.0
52	P52-14M-115-F	F	9.123	9.013	9.69	A1F	4	3/8	3-5/8	1-1/4	1-3/8	—	5-1/4	7.18	4-15/16	42.0
56	P56-14M-115-F	F	9.825	9.715	10.38	A1F	4	3/8	3-5/8	1-1/4	1-3/8	—	5-1/4	7.88	4-15/16	53.0
60	P60-14M-115-F	F	10.527	10.417	11.06	A1F	4-1/2	3/8	3-5/8	1-1/4	1-3/8	—	5-1/4	8.50	4-15/16	60.0
64	P64-14M-115-J	J	11.229	11.119	11.75	D1F	4-1/2	3/16	4-1/2	15/16	1	—	5-1/4	9.25	4-15/16	76.0
68	P68-14M-115-J	J	11.930	11.820	12.50	D1F	4-1/2	3/16	4-1/2	15/16	1	—	5-1/4	10.00	4-15/16	83.0
72	P72-14M-115-J	J	12.632	12.522	13.19	D1F	4-1/2	3/16	4-1/2	15/16	1	—	5-1/4	10.69	4-15/16	99.0
80	P80-14M-115-J	J	14.036	13.926	14.63	D2F	4-1/2	3/16	4-1/2	15/16	1	—	5-1/4	12.13	4-15/16	87.0
90	P90-14M-115-J	J	15.790	15.680	—	D2	4-1/2	3/16	4-1/2	15/16	1	—	5-1/4	14.00	—	95.0
112	P112-14M-115-J	J	19.650	19.540	—	D3	4-1/2	3/16	4-1/2	15/16	1	—	5-1/4	17.88	—	114.0
144	P144-14M-115-J	J	25.264	25.154	—	D3	4-1/2	3/16	4-1/2	15/16	1	—	5-1/4	23.38	—	166.0
168	P168-14M-115-M	M	29.475	29.365	—	D3	5-1/2	3/16	4-1/2	15/16	1	—	5-1/4	27.56	—	198.0
192	P192-14M-115-M	M	33.686	33.576	—	D3	5-1/2	3/16	4-1/2	15/16	1	—	5-1/4	31.81	—	232.0
216	P216-14M-115-M	M	37.896	37.786	—	D3	5-1/2	3/16	4-1/2	15/16	1	—	5-1/4	35.75	—	307.0

*Weight shown is for sprocket less bushing.

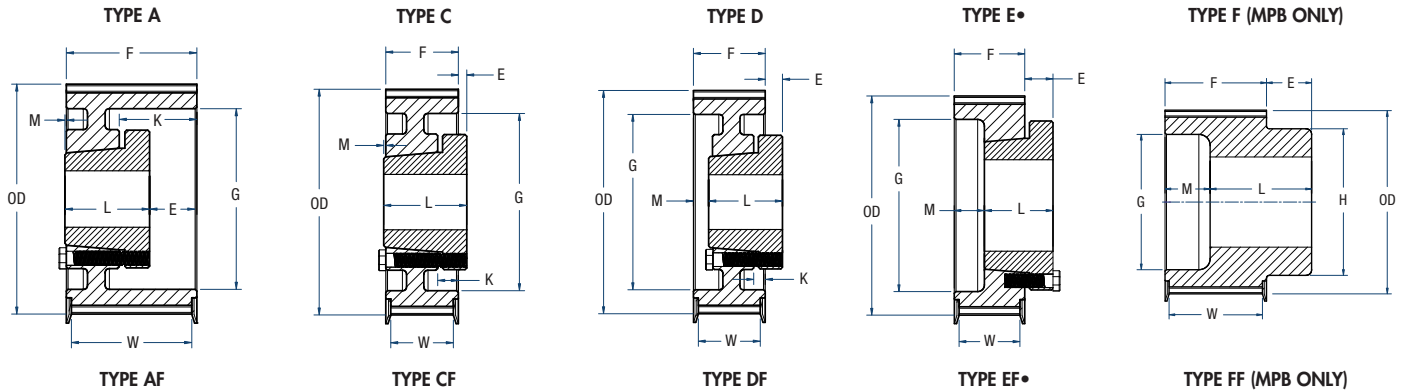
•Reverse mount only.

+The numbers (1=Solid, 2=Web, 3=Arms) within "Type" indicates construction, and the letter F indicates the pulley has flanges.

HTD 14mm



Timing Pulley 170mm Wide Belts



170mm (6.69 in) Wide Belts (14M-170)

No. of Teeth	Catalog Number	Bore	Pitch	Diameter (in)		Type+	Max Bore	Dimensions (in)								Approx. Weight* (lbs)
				O.D.	Flange			E	L	M	K	H	F	G	W	
36	P36-14M-170-MPB	1-1/2	6.316	6.208	6.81	F1F	3-3/8	1-1/4	6	2-5/8	—	5	7-3/8	4.69	7-1/16	47.0
38	P38-14M-170-MPB	1-1/2	6.667	6.559	7.16	F1F	3-5/8	1-1/4	6	2-5/8	—	5-3/8	7-3/8	4.94	7-1/16	56.0
40	P40-14M-170-MPB	1-1/2	7.018	6.909	7.50	F1F	3-3/4	1-1/4	6	2-5/8	—	5-9/16	7-3/8	5.06	7-1/16	64.0
44	P44-14M-170-MPB	1-1/2	7.720	7.610	8.22	F1F	4-3/8	1-1/4	6	2-5/8	—	6-41/64	7-3/8	6.12	7-1/16	76.0
44	P44-14M-170-E	E	7.720	7.610	8.22	A1F	3-5/8	2	2-5/8	2-3/4	2-7/8	—	7-3/8	6.12	7-1/16	38.0
48	P48-14M-170-MPB	1-1/2	8.421	8.311	8.94	F1F	4-1/2	1-1/4	6	2-5/8	—	6-15/16	7-3/8	6.50	7-1/16	94.0
48	P48-14M-170-E	E	8.421	8.311	8.94	A1F	3-5/8	2	2-5/8	2-3/4	2-7/16	—	7-3/8	6.50	7-1/16	45.0
52	P52-14M-170-F	F	9.123	9.013	9.69	A1F	4	1-7/16	3-5/8	2-5/16	2-7/16	—	7-3/8	7.18	7-1/16	52.0
56	P56-14M-170-F	F	9.825	9.715	10.38	A1F	4	1-7/16	3-5/8	2-5/16	2-1/8	—	7-3/8	7.88	7-1/16	65.0
60	P60-14M-170-J	J	10.527	10.417	11.06	A1F	4-1/2	15/16	4-1/2	1-15/16	2-1/8	—	7-3/8	8.50	7-1/16	75.0
64	P64-14M-170-J	J	11.229	11.119	11.75	A1F	4-1/2	15/16	4-1/2	1-15/16	2-1/8	—	7-3/8	9.25	7-1/16	91.0
68	P68-14M-170-J	J	11.930	11.820	12.50	A1F	4-1/2	15/16	4-1/2	1-15/16	2-1/8	—	7-3/8	10.00	7-1/16	96.0
72	P72-14M-170-J	J	12.632	12.522	13.19	A1F	4-1/2	15/16	4-1/2	1-15/16	2-1/8	—	7-3/8	10.69	7-1/16	115.0
80	P80-14M-170-J	J	14.036	13.926	14.63	A2F	4-1/2	15/16	4-1/2	1-15/16	2-1/8	—	7-3/8	12.13	7-1/16	107.0
90	P90-14M-170-J	J	15.790	15.680	—	A2	4-1/2	15/16	4-1/2	1-15/16	2-1/8	—	7-3/8	14.00	—	116.0
112	P112-14M-170-M	M	19.650	19.540	—	A3	5-1/2	0	6-3/4	5/8	1-7/16	—	7-3/8	17.88	—	175.0
144	P144-14M-170-M	M	25.264	25.154	—	A3	5-1/2	0	6-3/4	5/8	1-7/16	—	7-3/8	23.38	—	240.0
168	P168-14M-170-M	M	29.475	29.365	—	A3	5-1/2	0	6-3/4	5/8	1-7/16	—	7-3/8	27.56	—	278.0
192	P192-14M-170-M	M	33.686	33.576	—	A3	5-1/2	0	6-3/4	5/8	1-7/16	—	7-3/8	31.81	—	322.0
216	P216-14M-170-M	M	37.786	37.786	—	A3	5-1/2	0	6-3/4	5/8	1-7/16	—	7-3/8	35.75	—	399.0

*Weight shown is for sprocket less bushing.

•Reverse mount only.

+The numbers (1=Solid, 2=Web, 3=Arms) within "Type" indicates construction, and the letter F indicates the pulley has flanges.